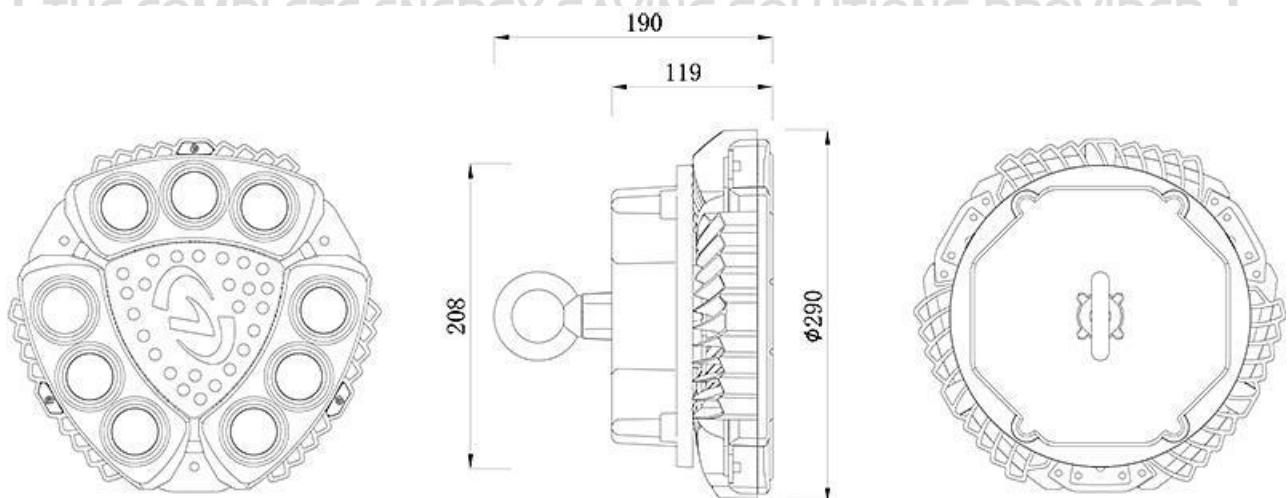


SLED-GC-M1/3



Product size

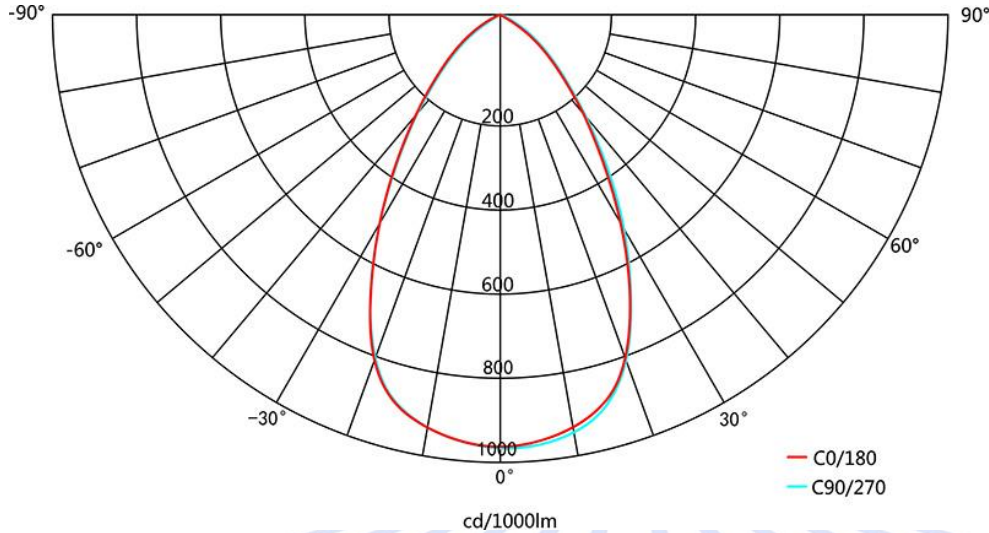


www.senslights.com



Email: info@senslights.com

Light distribution curve



Product characteristic:

The whole lamp comprises an LED light source, heat conducting medium, radiator, electric appliance box, mounting bracket. By light and electricity separation type heat dissipation design, radiator module using bionics vortex flow wind guide design, fin and heat sink formed around the through and guide the convection air throughout the whole fin, non symmetric random arrangement design of the fin, the effective intercept air flow away fin heat. Modular combination, effectively avoid the heat island effect, and high-pressure cast aluminum magnesium alloy material, effectively improve cooling efficiency, the maximum guarantee the life of the light source.] the light source is an aluminum substrate and the radiator through a transmission medium formed seamless contact, can put the light source heat with the fastest speed through the radiator transfer into the air, the effective control of the LED junction temperature, greatly increasing the service life of the light source. The implementation of photoelectric split independent cooling, to ensure the heat between the two will not affect each other, so as to improve the power of life.] source: use the top LED chips, high luminous efficiency, long life, excellent color] applicable places: factories, shopping malls, supermarkets and toll station, exhibition center and



www.senslights.com



Email: info@senslights.com



Indoor ceiling lighting.
Technical parameters:
Model: SLED-GC-M1/3
System power: 80W-100W
System light effect: > 100lm/W
Color temperature: 4000K, 5000K, 6000K
Working voltage: 85-265V AC
Protection level: IP40/IP65
Electrical safety grade: Class II
Source: SensLights kr / CREE / PHILIPS brand
LED single power: 10W
LED number: 9
The angle of the beam is 24: 36 degree 48 and 60.
Working environment temperature: -25, +60



www.senslights.com



Email: info@senslights.com